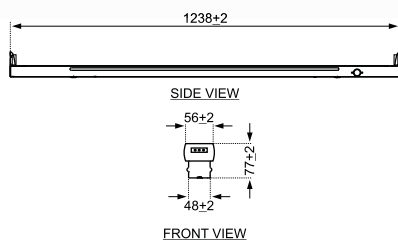


Batten Gold

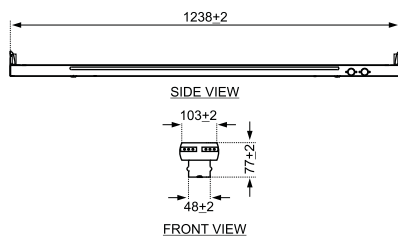


General purpose industrial batten suitable for 36W (T8) or 40W (T12) single and twin linear fluorescent lamps.

Dimensions (in mm)



Batten Gold 1x36/40W



Batten Gold 2x36/40W

Specification

Housing

Housing & cover made up of CRCA sheet steel.

Finish

Epoxy powder coated white after phosphochromate treatment.

Lamp Holders

Push fit type white polycarbonate/ ABS with electrical grade brass contacts.

Electric Gear

Pre-wired with open construction copper wound ferromagnetic ballast, universal starter (FSU) and power factor improvement capacitor upto terminal block.

Option with high frequency digital ballast (THD<10%) available on request.

Mounting

On ceiling/ wall with screws or suspend by 2 nos. ϕ 19 mm conduit or chain.

Applications

- Lobbies
- Schools
- Godowns
- Industrial bays
- Railway platforms



Technical Details

Ordering Code	Lamp Type	Nominal Voltage (V)	Mains Current(A)	Lamp Socket	Power Factor	Capacitor Value
LHIF11104009-LPF	1x36/40W FTL	240	0.41	G13	≥ 0.50	-
LHIF11104025	1x36/40W FTL	240	0.20	G13	≥ 0.90	-
LHIF71104011	1x36/40W FTL	240	0.21	G13	≥ 0.85	4 mfd
LHIF71104026	1x36/40W FTL	240	0.20	G13	≥ 0.90	-
LHIF71204011	2x36/40W FTL	240	0.42	G13	≥ 0.85	8 mfd
LHIF71204026	2x36/40W FTL	240	0.40	G13	≥ 0.90	-

With HF digital ballast option power factor ≥ 0.98

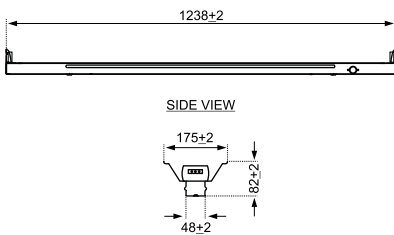


Batten Gold PCR/ALR

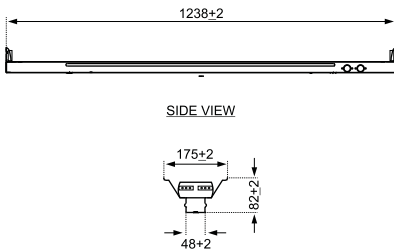


General purpose industrial batten suitable for 36W (T8) or 40W (T12) single and twin linear fluorescent lamps with powder coated or aluminium reflector.

Dimensions (in mm)



Batten Gold 1x36/40W PCR/ALR



Batten Gold 2x36/40W PCR/ALR

Specification

Housing

Housing made up of CRCA sheet steel.

Finish

Epoxy powder coated white after phosphochromate treatment.

Reflector

Either powder coated white (PCR) after phosphochromate treatment or high purity pre-anodised aluminium sheet (ALR).

Lamp Holders

Push fit type white polycarbonate/ ABS with electrical grade brass contacts.

Electric gear

Pre-wired with open construction copper wound ferromagnetic ballast, universal starter (FSU) and power factor improvement capacitor upto terminal block.

Option with high frequency electronic ballast (THD<33%) or digital ballast (THD<10%) available on request.

Mounting

On ceiling/ wall with screws or suspend by 2 nos. ϕ 19 mm conduit or chain.

Applications

- Lobbies
- Schools
- Godowns
- Industrial bays
- Railway platforms

Technical Details

Ordering Code	Lamp Type	Nominal Voltage (V)	Mains Current(A)	Lamp Socket	Power Factor	Capacitor Value
With PC Reflector LHIF33104011 } LHYF19236099 }	1x36/40W FTL	240	0.21	G13	≥ 0.85	4 mfd
	2x36/40W FTL	240	0.42	G13	≥ 0.85	8 mfd
With AL Reflector LHIF33104011 } LHYF20236099 }	1x36/40W FTL	240	0.21	G13	≥ 0.85	4 mfd
	2x36/40W FTL	240	0.42	G13	≥ 0.85	8 mfd

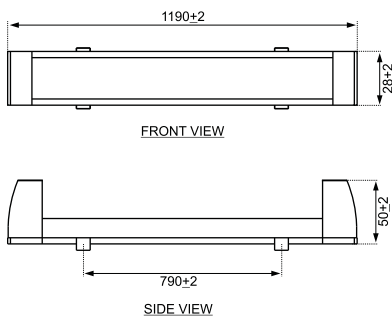


Extruded Batten Popular



Decorative ultra slim Extruded Al box fixture with high frequency electronic ballast suitable for single 28W linear fluorescent lamp.

Dimensions (in mm)



Specification

Chennai

Made up of Extruded Al. section.

End Caps

Made of high grade ABS.

Lamp Holders

Push fit type white polycarbonate with phosphor bronze contacts.

Electric gear

Pre-wired with 240V rated high frequency electronic ballast (HPF) upto terminal block.

For ready to use & packed in gift box pre-fitted with lamp.

Mounting

Fixed on wall/ ceiling with help snap-on installers provided.

Applications

- Schools
- Residences
- Cove lighting
- Assembly benches
- Hospitals premises
- Conference rooms



Technical Details

Ordering Code	Lamp Type	Nominal Voltage (V)	Mains Current(A)	Lamp Socket	Power Factor
LHIT05128032	1x28W T5 FTL	240	0.140	G5	≥0.95

With HF digital ballast option power factor ≥ 0.98

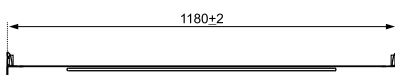


Energy Efficient T5 Batten

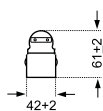


Energy efficient industrial compact batten suitable for 28W (T5 HE) single and twin linear fluorescent lamps.

Dimensions (in mm)

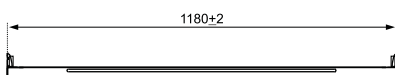


SIDE VIEW

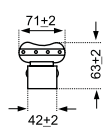


FRONT VIEW

T5 Batten 1x28W



SIDE VIEW



FRONT VIEW

T5 Batten 2x28W

Specification

Housing

Housing & cover made up of CRCA sheet steel.

Finish

Epoxy powder coated white after phosphochromate treatment.

Lamp Holders

Rotor type white polycarbonate/ ABS with electrical grade brass contacts.

Electric Gear

Pre-wired with high performance electronic ballast (THD<33%) as a standard. Option of high frequency digital ballast (THD<10%) available on request.

Mounting

On ceiling/ wall with screws or suspend by 2 nos. ϕ 19 mm conduit or chain.

Applications

- Schools
- Industrial bays
- Railway platforms
- Godowns/ garages
- Assembly benches



Technical Details

Ordering Code	Lamp Type	Nominal Voltage (V)	Mains Current(A)	Lamp Socket	Power Factor
LHIT01128032	1x28W T5 HE	240	0.14	G5	≥ 0.95
LHIT01228033	2x28W T5 HE	240	0.28	G5	≥ 0.95

Option to use 54W T5 HO fluorescent lamp available on request.
With HF digital ballast option power factor ≥ 0.98

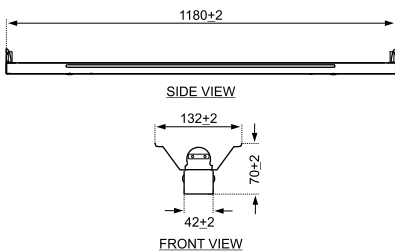


Energy Efficient T5 Batten PCR/ALR

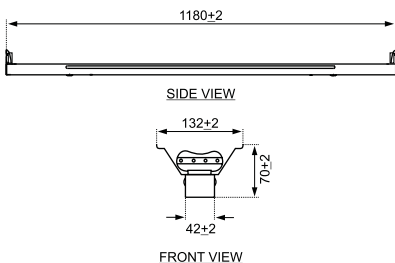


Energy efficient industrial compact batten suitable for 28W (T5 HE) single and twin linear fluorescent lamps with powder coated or aluminium reflector.

Dimensions (in mm)



T5 Batten 1x28W PCR/ALR



T5 Batten 1x28W PCR/ALR

Specification

Housing

Housing & cover made up of CRCA sheet steel.

Finish

Epoxy powder coated white after phosphochromate treatment.

Reflector

Either powder coated white (PCR) after phosphochromate treatment or high purity pre-anodised aluminium sheet (ALR).

Lamp Holders

Rotor type white polycarbonate/ ABS with electrical grade brass contacts.

Electric Gear

Pre-wired with high performance electronic ballast (THD<33%) as a standard. Option of high frequency digital ballast (THD<10%) available on request. Option to use 54W T5 fluorescent lamp available on request.

Mounting

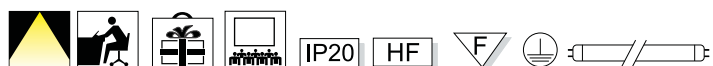
On ceiling/ wall with screws or suspend by 2 nos. ϕ 19 mm conduit or chain.

Applications

- Schools
- Industrial bays
- Railway platforms
- Godowns/ garages
- Assembly benches

Technical Details

Ordering Code	Lamp Type	Nominal Voltage (V)	Mains Current(A)	Lamp Socket	Power Factor
With PC Reflector	LHIT01128032 } LHYT19228099 }	240	0.14	G5	≥ 0.95
	LHIT01228033 } LHYT19228099 }	240	0.28	G5	≥ 0.95
With AL Reflector	LHIT01128032 } LHYT20228099 }	240	0.14	G5	≥ 0.95
	LHIT01228033 } LHYT20228099 }	240	0.28	G5	≥ 0.95

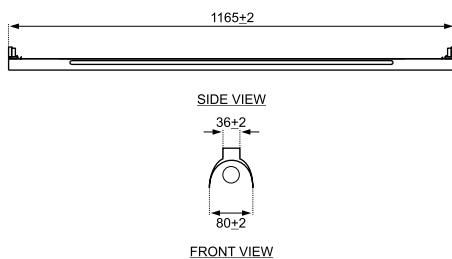


Extruded Aluminium T5 Batten

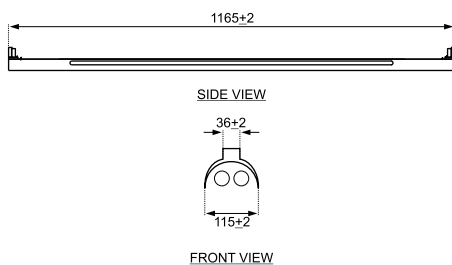


Energy efficient industrial batten with matt finish reflector suitable for 28W/ 54W (T5 HE) single or twin linear fluorescent lamps.

Dimensions (in mm)



Ext. T5 Batten 1x28W T5



Ext. T5 Batten 2x28W T5

Specification

Housing

Channel & reflector made of extruded aluminium sections.

Finish

Anodised matt finish reflector after phosphochromate treatment.

Lamp Holders

Rotor type white polycarbonate/ ABS with electrical grade brass contacts.

Electric Gear

Pre-wired with high performance electronic ballast (THD<33%).

Mounting

On ceiling/ wall with screws or suspend by stainless steel suspension wires.

Applications

- Garages
- Battery rooms
- Storage areas
- Industrial sheds
- Assembly benches
- Thermal power stations



Technical Details

Ordering Code	Lamp Type	Nominal Voltage (V)	Mains Current(A)	Lamp Socket	Power Factor
LHIT04128032	1x28W T5 HE	240	0.14	G5	≥ 0.95
LHIT04228033	2x28W T5 HE	240	0.28	G5	≥ 0.95
LHIT04154071	1x54W T5 HO	240	0.26	G5	≥ 0.95
LHIT04254071	2x54W T5 HO	240	0.51	G5	≥ 0.95

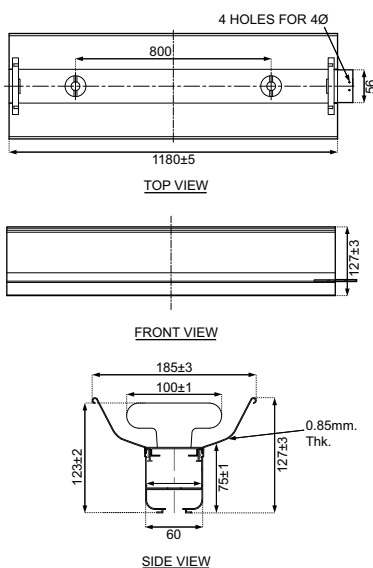


Trunking Lighting System



Energy efficient trunking lighting system suitable for 28W T5/36W T8 FTL with dual compartment

Dimensions (in mm)



Specification

Housing

Extruded Aluminium channel with dual compartment, inserting slot for reflector, hanging clamps and covers.

Finish

Epoxy powder coated white after phosphochromate treatment.

Reflector

Aluminium extruded powder coated white after phosphochromate treatment suitable to insert on extruded channel.

Lamp Holders

Rotor type white polycarbonate/ ABS with electrical grade brass contacts.

Electric Gear

Pre-wired with high performance electronic ballast (THD<33%) as a standard on aluminium extruded cover for easy instalation and maintenance. Option of high frequency digital ballast (THD<10%) available on request. Option to use 54W T5 fluoresent lamp available on request.

Mounting

Suspension by means of steel wire /rod with the help of C clamps provided.

Features

1. Separate compartments for wiring of PA system/intercom/display
2. Aluminum extruded housing to ensure long life and no rusting/corrosion
3. Flexible to remove any side reflector to give wall washer effect
4. Very easy installation
5. Easy Maintenance without dismantling trunking channel/reflector etc.

Applications

- Shopping malls
- Industrial bays
- Railway platforms
- Godowns/ garages
- Assembly benches

Note - For detail please contact our nearest branch office.

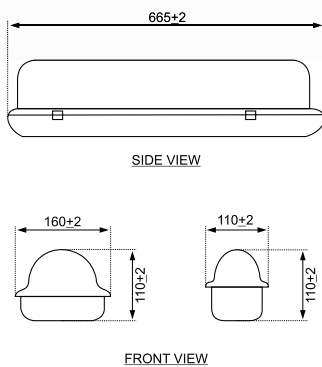


Magnum 1



Corrosion resistant, impact proof, surface mounting luminaire with polycarbonate housing with transparent & reeded polycarbonate cover suitable for wet location.

Dimensions (in mm)



Specification

Housing

Made up of corrosion resistant unbreakable polycarbonate body.

Cover

Clear polycarbonate cover with better light dispersive internal reeds.

Optics

Reflector made from powder coated white MS sheet.

Lamp holder

Push fit type white polycarbonate/ ABS with electrical grade brass contacts.

Electric gear

For 1x36W FP-L & 2x36W FP-L : Pre-wired with open construction copper wound ferromagnetic ballast, universal starter (FSU) and power factor improvement capacitor upto terminal block.

For 2x18/20W FTL : Pre-wired with single 36/40W open construction copper wound ferromagnetic ballast, 110V starters (FS2) and power factor improvement capacitor upto terminal block.

Option with high frequency electronic ballast (THD<33%) or digital ballast (THD<10%) available on request.

For T5 lamps : Pre-wired with high performance electronic ballast (THD<33%) as a standard.

Option of high frequency digital ballast (THD<10%) available on request.

Mounting

On ceiling/ wall thru 2 nos. slots using screws from the top of the luminaire.

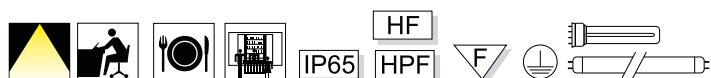
Application

- Battery rooms
- Railway stations
- Underground parkings
- Thermal power stations



Technical Details

Ordering Code	Lamp Type	Nominal Voltage (V)	Mains Current(A)	Lamp Socket	Power Factor	Capacitor Value
LHIC53136011	1x36W FP-L	240	0.21	2G11	≥ 0.85	4 mfd
LHIC54236011	2x36W FP-L	240	0.42	2G11	≥ 0.85	8 mfd
LHIT54214040	2x14W T5 HE	240	0.15	G5	≥ 0.95	-
LHIF54218015	2x18/20W FTL	240	0.21	G13	≥ 0.85	4 mfd

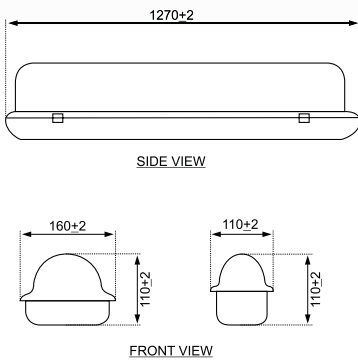


Magnum 2



Corrosion resistant, impact proof, surface mounting luminaire housing with polycarbonate housing with transparent & reeded polycarbonate cover suitable for wet location.

Dimensions (in mm)



Specification

Housing

Made up of corrosion resistant unbreakable polycarbonate body.

Cover

Clear polycarbonate cover with better light dispersive internal reeds.

Optics

Reflector made from powder coated white MS sheet.

Lamp Holders

Push fit type white polycarbonate/ ABS with electrical grade brass contacts.

Electric gear

For 1x36/40W FTL & 2x36/40W FTL : Pre-wired with open construction copper wound ferromagnetic ballast, universal starter (FSU) and power factor improvement capacitor upto terminal block.

Option with high frequency electronic ballast (THD<33%) or digital ballast (THD<10%) available on request.

For T5 lamps : Pre-wired with high performance electronic ballast (THD<33%) as a standard.

Option of high frequency digital ballast (THD<10%) available on request.

Mounting

On ceiling/ wall thru 2 nos. slots using screws from the top of the luminaire.

Application

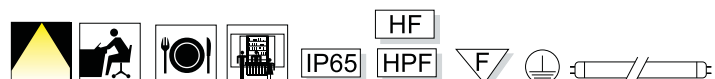
- Battery rooms
- Chilling plants
- Chemical factories
- Underground parkings
- Thermal power stations



Technical Details

Ordering Code	Lamp Type	Nominal Voltage (V)	Mains Current(A)	Lamp Socket	Power Factor	Capacitor Value
LHIF55136011	1x36/40W FTL	240	0.21	G13	≥ 0.85	4 mfd
LHIF56236011	2x36/40W FTL	240	0.42	G13	≥ 0.85	8 mfd
LHIT55128032	1x28W T5 HE	240	0.14	G5	≥ 0.95	-
LHIT56228033	2x28W T5 HE	240	0.28	G5	≥ 0.95	-

Option with 54W T5 HO fluorescent lamp available on request.

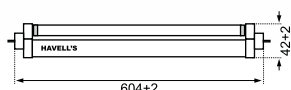


Prodigy

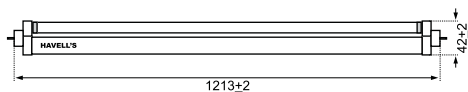


Energy saving ready to use retrofit T5 luminaire compatible with existing open FTL T12 fixture by removing starter.

Dimensions (in mm)



Prodigy 14W T5



Prodigy 28W T5

Specification

- Saves over 45% energy as compared to 40W FTL with electromagnetic ballast.
- Pre-heat start electronic circuit enhances lamp life.
- Hum free & flicker free operation from 125V to 285V.
- Reduces heat load on air conditioners.
- Built-in lamp ageing protection.
- Over voltage protection at 295V and above.
- Energy Efficiency Index (EEI) : A2
- Controlled harmonic distortion (THD<33%)
- High power factor >0.95

Advantage

- Acts as a retrofit solution.
- Old industrial batten conversion easy.
- Ideal for converting T12/ T8/ fittings to T5.
- Suitable for any patti fitting (remove starter).

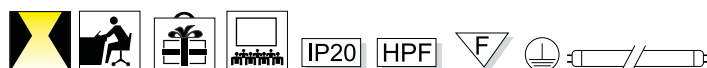
Application

- Homes
- Schools/ libraries
- Old Govt. offices
- Industrial battens
- Gov. guest houses
- Railway waiting rooms

Technical Details

Ordering Code	Lamp Type	Nominal Voltage (V)	Mains Current(A)	Lamp Socket	Power Factor
LHIT12114431	1x14W T5 FTL	240	0.065	G13	≥ 0.95
LHIT12128432	1x28W T5 FTL	240	0.130	G13	≥ 0.95

Ensure removal of starter from old T12/ T8 fitting before fixing "Prodigy" in and switching on.

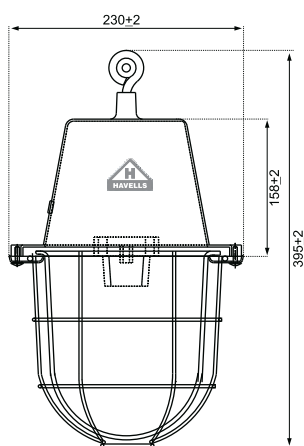


VPF 2



Vertical mounting integral well glass luminaire, suitable for 70W high pressure sodium vapour/metal halide or 125W mercury vapour lamp. Non-integral type for 150W sodium vapour lamp.

Dimensions (in mm)



Specification

Housing

Single piece die-cast aluminium alloy LM-6.

Cover

Heat resistant glass bowl with zinc plated/galvanized MS wire guard.

Finish

Epoxy powder coated grey after phosphochromate treatment.

Optics

White painted circular disc acts as reflector.

Lamp Holder

Ceramic lamp holder with electrical grade copper contacts.

Electric Gear

Pre-wired with open construction copper wound ferromagnetic ballast , power factor improvement capacitor and impulse ignitor for reliable ignition upto terminal block.

For 150W SV lamp use separate control gear box.

Mounting

Suspend by means of provided heavy duty suspension hook.

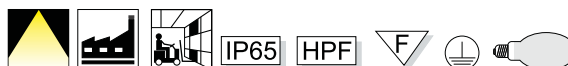
Applications

- Steel plants
- Industrial bays
- Thermal plants
- Cement factories
- Medium industrial units

Technical Details

Ordering Code	Lamp Type	Nominal Voltage (V)	Mains Current(A)	Lamp Socket	Power Factor	Capacitor Value
LHW25170D36	1x70W SON-E/MHSEE	240	0.40	E27	≥ 0.85	10 mfd
LHVG25112036	1x125W HPMV	240	0.69	E27	≥ 0.85	10 mfd
LHW25115099	1x150W SON-E*	240	0.82*	E40	≥ 0.85*	20 mfd*

*When used with appropriate rating external CG box.

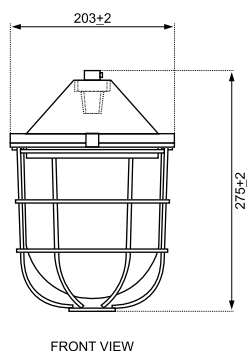


VPF NI



Non-integral well glass luminaire, suitable for incandescent/ high pressure mercury vapour/ sodium vapour/ metal halide lamp for vapour laden areas.

Dimensions (in mm)



Specification

Housing

Single piece die-cast aluminium alloy LM-6.

Cover

Heat resistant glass bowl with zinc plated/ galvanized MS wire guard.

Finish

Epoxy powder coated grey after phosphochromate treatment.

Optics

White painted housing from inside acts as reflector.

Lamp Holder

E 27 ceramic lamp holder with electrical grade copper contacts provided as standard.

Electric Gear

Use appropriate CG box as per selected HID lamp source and wattages except for incandescent (GLS) lamp.

Mounting

Suspend with 20 mm diameter threaded GI pipe.

Applications

- Steel plants
- Industrial bays
- Thermal plants
- Cement factories
- Medium industrial units

Technical Details

Ordering Code	Lamp Type	Nominal Voltage (V)	Mains Current(A)*	Lamp Socket	Power Factor*	Capacitor Value*
LHVL05120099	1x200W GLS	240	0.83	E27	1.00	-
LHVG05112099	1x125W HPMV	240	0.69	E27	≥ 0.85	10 mfd
LHVS05170099	1x70W SON-E	240	0.40	E27	≥ 0.85	10 mfd
LHVM05170099	1x70W MH SEE	240	0.40	E27	≥ 0.85	10 mfd
LHVM16115099	1x150W MH SEE	240	0.82	E27	≥ 0.85	20 mfd

*When used with appropriate rating CG box (except 200W GLS lamp)

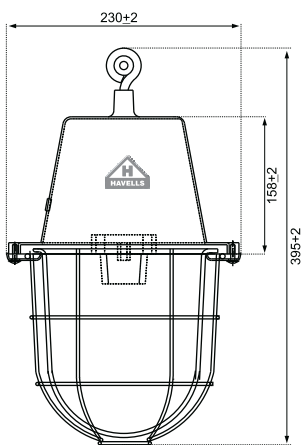


VPF 1 New



Integral well glass luminaire, suitable for 70W high pressure sodium vapour/ metal halide or 125W mercury vapour lamp for vapour laden areas.

Dimensions (in mm)



Specification

Housing

Single piece die-cast aluminium alloy LM-6.

Cover

Heat resistant glass bowl with zinc plated/galvanized MS wire guard.

Finish

Epoxy powder coated grey after phosphochromate treatment.

Optics

White painted housing from inside acts as reflector.

Lamp Holder

E 27 ceramic lamp holder with electrical grade copper contacts provided as standard.

Electric Gear

Pre-wired with power factor improvement capacitor and impulse ignitor for reliable ignition upto terminal block, copper wound ferromagnetic ballast supplied separately be wired as per instruction.

Mounting

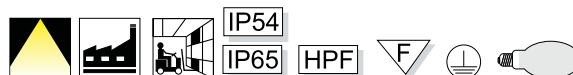
Suspend by means of 2 nos. "U" brackets.

Applications

- Steel plants
- Industrial bays
- Thermal plants
- Cement factories
- Medium industrial units

Technical Details

Ordering Code	Lamp Type	Nominal Voltage (V)	Mains Current(A)	Lamp Socket	Power Factor	Capacitor Value
LHVS16170A36	1x70W SON-E	240	0.40	E27	≥ 0.85	10 mfd
LHVM16170D36	1x70W MH SEE	240	0.40	E27	≥ 0.85	10 mfd
LHVG16112036	1x125W HPMV	240	0.69	E27	≥ 0.85	10 mfd

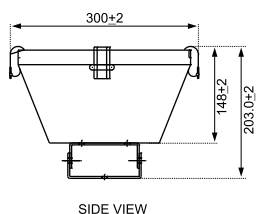
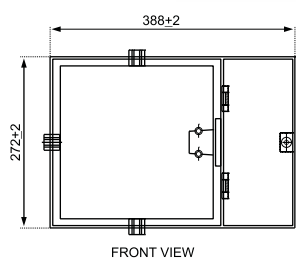


Solar 1



Lowbay luminaire suitable for elliptical, coated 70W high pressure sodium vapour/70W/150W metal halide/125W mercury vapour lamp.

Dimensions (in mm)



Specification

Housing

Made up of CRCA sheet steel

Cover

Tempered and toughened protective front glass, 5mm thick, thermal shock and impact resistant. Held to the housing by 3nos. SS toggles & hinged by 2 nos. nylon strings for re-lamping/ maintenance.

Finish

Epoxy powder coated grey after phosphochromate treatment.

Optics

Reflectors made up of high purity pre-anodised aluminium sheet.

Lamp Holder

E 27 ceramic lamp holder with electrical grade copper contacts provided as standard product.

Electric Gear

Pre-wired with power factor improvement capacitor and impulse ignitor for reliable ignition upto terminal block, copper wound ferromagnetic ballast supplied separately be wired as per instruction.

Mounting

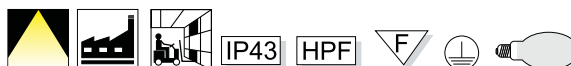
Suspend by means of 2 nos. "U" brackets provided.

Applications

- Underpass
- Public halls
- Warehouses
- Railway platforms
- Medium industries

Technical Details

Ordering Code	Lamp Type	Nominal Voltage (V)	Mains Current(A)	Lamp Socket	Power Factor	Capacitor Value
LHIS01170A36	1x70W SON-E	240	0.40	E27	≥ 0.85	10 mfd
LHIM01170D36	1x70W MH SEE	240	0.40	E27	≥ 0.85	10 mfd
LHIM01115D36	1x150W MH SEE	240	0.82	E27	≥ 0.85	20 mfd
LHIG01112036	1x125W HPMV	240	0.69	E27	≥ 0.85	10 mfd

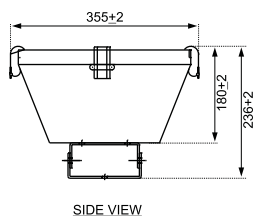
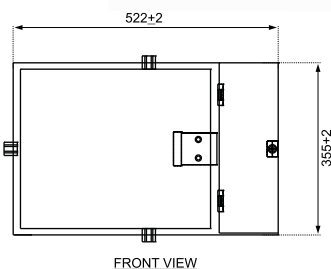


Solar 2



Lowbay luminaire suitable for elliptical, coated 150W/250W high pressure sodium vapour/ metal halide/ 250W mercury vapour lamp.

Dimensions (in mm)



Specification

Housing

Made up of CRCA sheet steel

Cover

Tempered and toughened protective front glass, 5mm thick, thermal shock and impact resistant. Held to the housing by 3nos. SS toggles & hinged by 2 nos. nylon strings for re-lamping/ maintenance.

Finish

Epoxy powder coated grey after phosphochromate treatment.

Optics

Reflectors made up of high purity pre-anodised aluminium sheet.

Lamp Holder

Ceramic lamp holder with electrical grade copper contacts

Electric Gear

Pre-wired with power factor improvement capacitor and impulse ignitor for reliable ignition upto terminal block, copper wound ferromagnetic ballast supplied separately be wired as per instruction.

Mounting

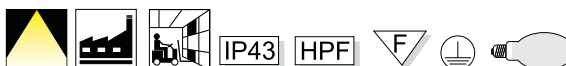
Suspend by means of 2 nos. "U" brackets provided.

Applications

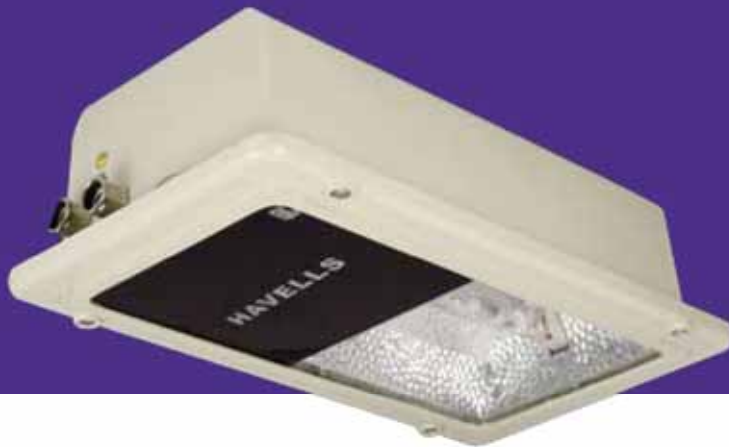
- Underpass
- Public halls
- Warehouses
- Railway platforms
- Medium industries

Technical Details

Ordering Code	Lamp Type	Nominal Voltage (V)	Mains Current(A)	Lamp Socket	Power Factor	Capacitor Value
LHIS11115A36	1x150W SON-E	240	0.82	E40	≥ 0.85	20 mfd
LHIS11125A36	1x250W SON-E	240	1.32	E40	≥ 0.85	33 mfd
LHIM11125D36	1x250W MH SEE	240	1.32	E40	≥ 0.85	33 mfd
LHIG11125036	1x250W HPMV	240	1.30	E40	≥ 0.85	15 mfd

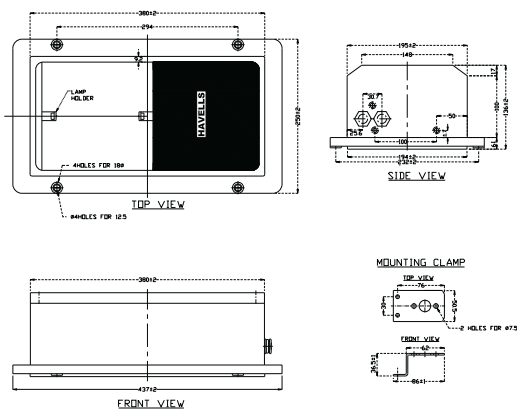


Petrol Pump – IP65



Functional petrol pump/canopy light with & die-cast alu. body with toughned glass lense suitable for double ended metal halide lamp.

Dimensions (in mm)



Specification

Housing

Made up of die-cast aluminium alloy Lm6

Cover

Tempered protective toughened front glass, 5mm thick, thermal shock & Impact resistant well shielded by cast aluminium frame.

Finish

Powder coated grey after phosphochromate treatment.

Optics

Reflector made up of high purity dimpled/peened pre-anodised specular aluminium sheet.

Lamp Holder

Rx7s ceramic lamp holder with electrical grade copper contacts.

Electric Gear

Pre-wired with power factor improvement capacitor and impulse ignitor for reliable ignition upto terminal block, copper wound ferromagnetic ballast supplied separately be wired as per instruction.

Mounting

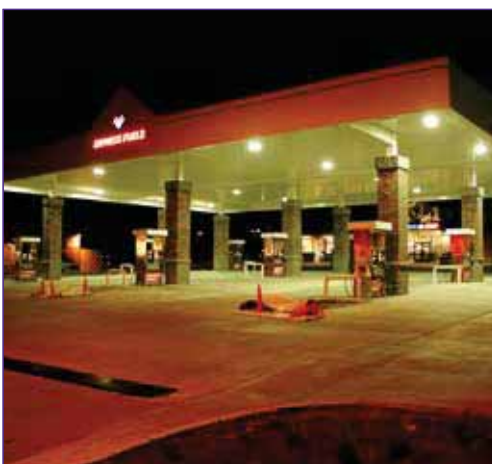
Suspend by means of 2nos. "Z" brackets provided.

Applications

- Petrol Pump
- Toll Plaza
- Railway Platform

Technical Details

Ordering Code	Lamp Type	Nominal Voltage (V)	Mains Current(A)	Lamp Socket	Power Factor	Capacitor Value
LHPY01170D99	1x70W MH DE	240	0.40	Rx7s	≥ 0.85	10 mfd
LHBW08170036						
LHPY01115D99	1x150W MH DE	240	0.82	Rx7s	≥ 0.85	20 mfd
LHBW08115036						

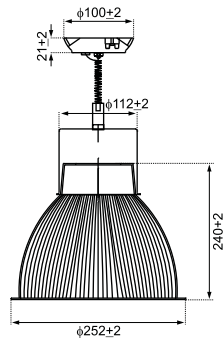


Prisma

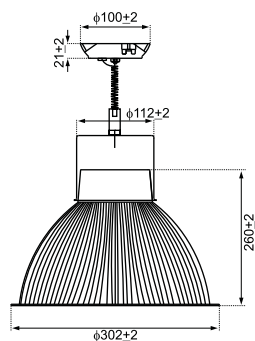


Decorative pendant luminaire with prismatic UV stabilized polycarbonate refractor suitable for incandescent (GLS) / Retrofit CFL lamp.

Dimensions (in mm)



Prisma 1



Prisma 2

Specification

Housing

Spun CRCA sheet steel canopy with ceiling mounting plate in white matt finish.

Optics

Injection moulded food grade & UV stabilised polycarbonate with precisely contoured prismatic internal facets ensures uniform & better light distribution.

Lamp holder

BC22 ceramic lamp holder with electrical grade copper contacts supplied as standard.

Mounting

Suspend by means of clutch wire (Maximum 1 meters).

Applications

- Lounges
- Retail malls
- Health clubs
- Sports areas
- Living rooms
- Gymnasiums
- Multi-purpose halls

Technical Details

Ordering Code	Lamp Type	Nominal Voltage (V)	Mains Current(A)	Lamp Socket	Power Factor
Prisma 1 LHIC01120099	1x60W GLS/ Upto 20W CFL Retro	240	0.25	BC 22	1.00
		240	0.09	BC 22	≥ 0.85
Prisma 2 LHIC02126099	1x100W GLS/ Upto 26W CFL Retro	240	0.41	BC 22	1.00
		240	0.12	BC 22	≥ 0.85

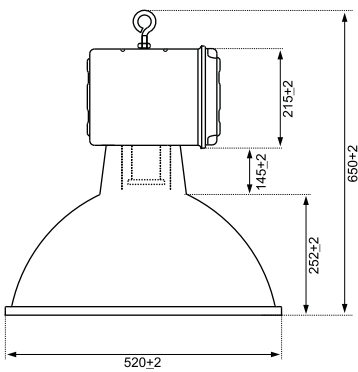


Sun Down HB/MB Vertical



Open type vertical highbay/ mediumbay luminaire suitable for elliptical coated high pressure sodium vapour/ metal halide/ mercury vapour lamp upto 400W.

Dimensions (in mm)



Specification

Housing

Housing & cover deep drawn from EDD grade steel sheet.

Finish

Epoxy powder coated grey after phosphochromate treatment.

Optics

Spun aluminium reflector electrochemically brightened, anodised inside and sand blasted from outside.

Lamp holder

Ceramic lamp holder with electrical grade copper contacts fixed to adjustable lamp holder bracket.

Electric gear

Pre-wired with power factor improvement capacitor and impulse ignitor for reliable ignition upto terminal block, copper wound ferromagnetic ballast supplied separately be wired as per instruction.

Reflectors supplied in separate bulk packing for transportaion purpose, for installation refer to provided instructions.

Mounting

Suspend by means of provided heavy duty suspension hook.

Applications

- Steel plants
- Warehouses
- Thermal plants
- Heavy engg. industries

Technical Details

Ordering Code	Lamp Type	Nominal Voltage (V)	Mains Current(A)	Lamp Socket	Power Factor	Capacitor Value
LHIS03115A36	1x150W SON-E	240	0.82	E40	≥ 0.85	20 mfd
LHIW03125D36	1x250W SON-E/MH SEEP	240	1.32	E40	≥ 0.85	33 mfd
LHIW03140D36	1x400W SON-E/MH SEEP	240	2.20	E40	≥ 0.85	42 mfd
LHIG03125036	1x250W HPMV	240	1.30	E40	≥ 0.85	15 mfd
LHIG03140036	1x400W HPMV	240	2.10	E40	≥ 0.85	20 mfd

Use "protected" version of metal halide lamps for public safety.

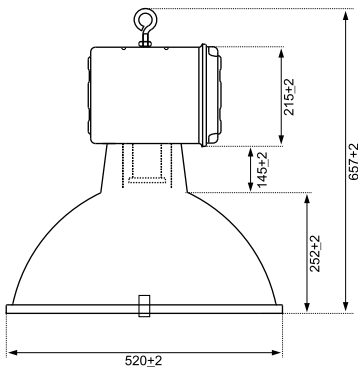


Sun Down HB/MB Vertical Enclosed



Vertical enclosed type highbay/mediumbay luminaire suitable for elliptical coated high pressure sodium vapour/metal halide/mercury vapour lamp upto 400W.

Dimensions (in mm)



Specification

Housing

Housing & cover deep drawn from EDD grade steel sheet.

Cover

Thermal shock proof, impact resistant, tempered and toughened protective 5mm thick glass fixed to the reflector by 3 nos toggles.

Finish

Epoxy powder coated grey after phosphochromate treatment.

Optics

Spun aluminium reflector electrochemically brightened, anodised inside and sand blasted from outside.

Lamp Holder

Ceramic lamp holder with electrical grade copper contacts fixed to adjustable lamp holder bracket.

Electric Gear

Pre-wired with power factor improvement capacitor and impulse ignitor for reliable ignition upto terminal block, copper wound ferromagnetic ballast supplied separately be wired as per instruction.

Reflectors supplied in separate bulk packing for transportaion purpose, for installation refer to provided instructions.

Mounting

Suspend by means of provided heavy duty suspension hook.

Applications

- Steel plants
- Warehouses
- Thermal plants
- Heavy engg. industries

Technical Details

Ordering Code	Lamp Type	Nominal Voltage (V)	Mains Current(A)	Lamp Socket	Power Factor	Capacitor Value
LHIS13115A36	1x150W SON-E	240	0.82	E40	≥ 0.85	20 mfd
LHIW13125D36	1x250W SON-E/MH SEE	240	1.32	E40	≥ 0.85	33 mfd
LHIW13140D36	1x400W SON-E/MH SEE	240	2.20	E40	≥ 0.85	42 mfd
LHIG13125036	1x250W HPMV	240	1.30	E40	≥ 0.85	15 mfd
LHIG13140036	1x400W HPMV	240	2.10	E40	≥ 0.85	20 mfd

Suitable for normal MH SEE lamps.

